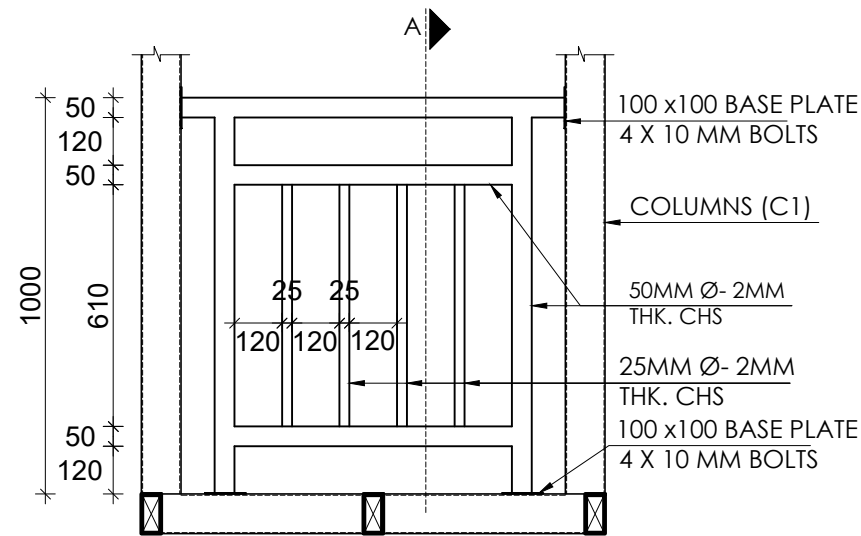


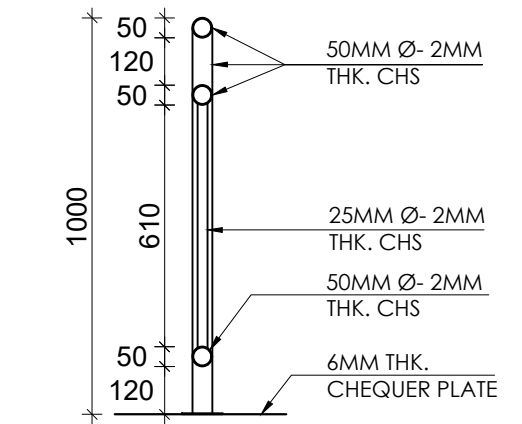
TYPICAL BALUSTRADE DETAIL FOR STAIRCASE FLIGHTS

SCALE: 1:10



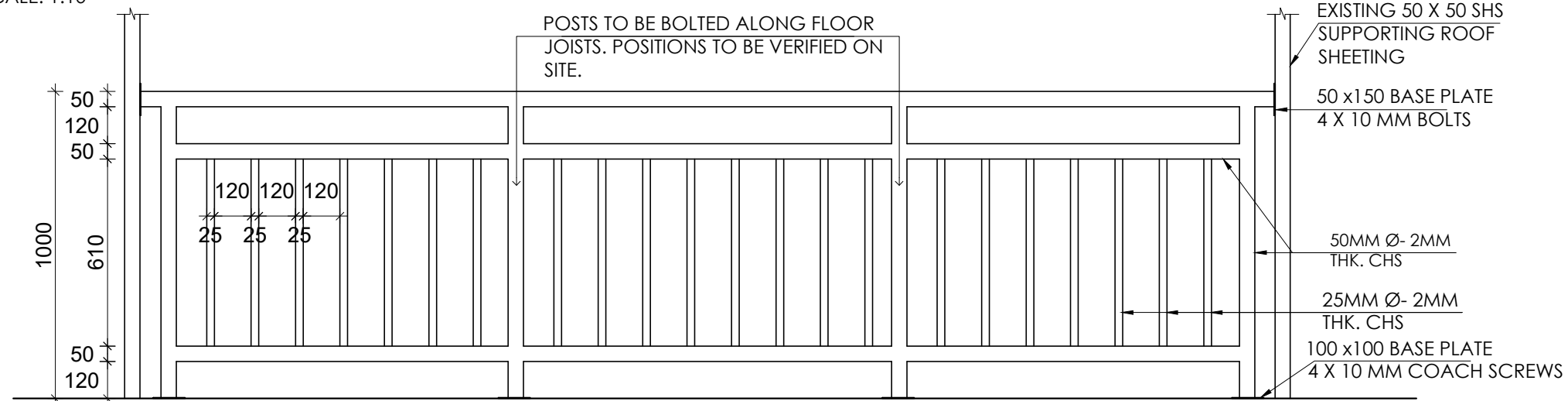
TYPICAL BALUSTRADE DETAIL FOR LANDINGS

SCALE: 1:10



SECTION AT A-A

SCALE: 1:10



TYPICAL BALUSTRADE DETAIL FOR TOP FLOOR

SCALE: 1:10

GENERAL NOTES:

ALL DIMENSIONS GIVEN ARE IN MILLIMETRES (UNLESS SHOWN OTHERWISE) & ARE TO BE CHECKED AND VERIFIED PRIOR TO CONSTRUCTION. DO NOT SCALE DRAWINGS FOR DIMENSIONS. DIMENSIONS WITH ASTERISKS ARE APPROXIMATE ONLY AND ARE TO BE CHECKED AND VERIFIED ON SITE PRIOR TO CONSTRUCTION.

ALL WORK SHOWN ON THE DRAWINGS COMPRISING THE SET SHALL COMPLY WITH THE 'BUILDING CODE OF AUSTRALIA' & THE REQUIREMENTS OF RELEVANT AUTHORITIES & THEIR CONDITIONS OF CONSENT.

ALL WORKMANSHIP & MATERIALS SHALL COMPLY WITH THE REQUIREMENTS OF THE RELEVANT AUSTRALIAN STANDARDS.

THIS DRAWING TO BE READ IN CONJUNCTION WITH ALL OTHER DRAWINGS & DOCUMENTATION COMPRISING THE SET INCLUDING THE SPECIFICATION AND OTHER CONSULTANT'S DRAWINGS (WHERE SUPPLIED).

REVISION	DESCRIPTION	DATE	APPROVED
A	CONSTRUCTION DRAWINGS	19-02-21	BI

PROJECT	COMMENTATOR'S BOX UPGRADE, MCGRANE OVAL
TITLE	BALUSTRADE DETAILS



Address:	15 Warren Road, Gilgandra NSW 2827
Telephone:	(02) 6817 8800
Fax:	(02) 6847 2521
Email:	council@gilgandra.nsw.gov.au
Council ABN:	47 979 060 715

DRAFTER	BP	APPROVAL FOR ISSUE	
SCALE	AS NOTED	ENGINEERING MANAGER	MANAGER
DRAWN TO AS1100 BY CAD DO NOT AMEND MANUALLY FIGURED DIMENSIONS TO BE TAKEN IN PREFERENCE TO SCALE READINGS. VERIFY ALL DIMENSIONS ON SITE	DRAWING No.	REVISION	
	CBX-1A-A05	1A	