



DESIGN CONFIDENCE

Dunn & Hillam Architects

Access Design Assessment Report

Concept Design

Gilgandra Library Plaza Upgrade

Gilgandra NSW 2827

Project: Gilgandra Library Plaza Upgrade
Document Type: Access Design Assessment Report
Our Reference: P220_458-1.1 (ACCESS) KG

The following report register documents the development and issue of this and each subsequent report(s) undertaken by Design Confidence (Sydney) Pty Ltd.

The technical and intellectual content contained herein remain the property of Design Confidence (Sydney) Pty Ltd and have been prepared and may only be used for the development / buildings being the subject of this report.

Revision History—

OUR REFERENCE	REMARKS	ISSUE DATE
P220_458-1.1 (ACCESS-PLAZA) KG	Draft report issued to client	24 May 2021
P220_458_2 (ACCESS-PLAZA) KG	FINAL report issued to client	04 June 2021

CONTENTS

EXECUTIVE SUMMARY	4
1.0 INTRODUCTION.....	5
1.1 General	5
1.2 Purpose of Report	5
1.3 Documentation Provided for Assessment.....	5
1.4 Limitations	5
1.5 Report Exclusions.....	5
1.6 BCA Assessment – Interpretation Notes	6
2.0 BCA ACCESS DESIGN ASSESSMENT SUMMARY	7
2.1 Interpretation.....	7
2.2 Part D3 – Access for People with a Disability.....	7
2.3 Part E3.6 – Passenger Lifts.....	7
2.4 Part F2.4 – Accessible Sanitary Facilities.....	7
2.5 Part F2.9 – Accessible Adult Change Facilities.....	7
3.0 BCA DETAILED ASSESSMENT	8
3.1 General	8
3.2 Part D3 – Access for People with a Disability.....	8
3.3 Part E3.6 – Passenger Lifts.....	10
3.4 Part F2.4 – Accessible Sanitary Facilities.....	10
3.5 Part F2.9 – Accessible Adult Change Facilities.....	10
4.0 CONCLUSION	11
4.1 General	11
APPENDIX 1 – Documentation Provided for Assessment	12
APPENDIX 2 – Design Checklist – Prescriptive Requirements	13
APPENDIX 3 – Universal Design Recommendations.....	28
APPENDIX 4 – Drawing Mark-ups.....	30

EXECUTIVE SUMMARY

This Access Design Assessment Report has been prepared by Design Confidence at the request of Dunn & Hillam Architects and relates to the proposed Gilgandra Library Plaza upgrade located at Gilgandra.

Based upon our assessment to date we are of the opinion that the subject development is capable of achieving compliance with the accessibility provisions of the BCA, either by complying with the prescriptive requirements or via a performance-based approach.

With respect to the assessment undertaken, the following items shall be reviewed further as the project develops—

ITEM	DESCRIPTION	RESPONSIBILITY
2	As design progresses, further details shall be provided to ensure compliance with the requirements of the BCA / AS1428.1-2009 is achieved, such as: <ul style="list-style-type: none"> a. Walkway details; b. Wet area (sanitary facilities) details; c. Stair details. 	Project Architect

1.0 INTRODUCTION

1.1 General

This report has been prepared at the request of Dunn & Hillam Architects and relates to the proposed Gilgandra Library Plaza located at Gilgandra.

The proposed development includes the upgrade of Gilgandra Library Plaza Upgrade including accessible and universal design.

In the context of this report and the BCA the building use can be described as follows—

CLASSIFICATION	DESCRIPTION
Class 10a	Non-habitable structure and amenities block

STOREYS CONTAINED (INCLUDING BASEMENT LEVELS)	
One (01)	Plaza
One (01)	Amenities block

1.2 Purpose of Report

The purpose of this report is to identify the extent to which the architectural design documentation complies with the *accessibility provisions* of the National Construction Code – Building Code of Australia Volume 1, Edition 2019 (hereinafter referred to as the BCA), as are principally contained within Parts D3, E3.6, F2.4 and F2.9.

This report is based upon, and limited to, the information depicted in the documentation provided for assessment and does not make any assumptions regarding design intention or the like.

1.3 Documentation Provided for Assessment

This assessment is based upon the architectural documentation prepared by Dunn & Hillam Architects and listed within **Appendix 1**.

1.4 Limitations

This report is based upon, and limited to, the information depicted in the documentation provided for assessment and does not make any assumptions regarding design intention or the like.

This assessment does not contain comments regarding detailed design issues such as (but not limited to): luminance contrast, slip resistance, handrail design, door schedule and door hardware specification, location of fittings within sanitary compartments.

1.5 Report Exclusions

It is conveyed that this report should not be construed to infer that an assessment for compliance with the following has been undertaken—

- (i) Work Health & Safety Act and Regulations; and
- (ii) Work Cover Authority requirements; and

- (iii) Structural and Services Design Documentation; and
- (iv) The Disability Discrimination Act (DDA) 1992; and
- (v) Any parts of the BCA or any standards other than those directly referenced in this report.

1.6 BCA Assessment – Interpretation Notes

To provide the reader with additional context the following information regarding assessment methodology used in this assessment is provided below—

- (i) Amenities are the ongoing responsibility of the local council who should maintain the accessible and ambulant toilets free of any barriers and other elements that could make them inaccessible.
- (ii) It is local council's responsibility to maintain the floor surfaces and other external features (drinking fountains, seating, waste, etc.).
- (iii) This assessment refers to the public domain works only. For an assessment of the Gilgandra Library, refer to the Access Design Assessment Report prepared by Design Confidence [ref. P220_458-2 (ACCESS) KG] issued on 03 June 2021.

2.0 BCA ACCESS DESIGN ASSESSMENT SUMMARY

2.1 Interpretation

The following tables summarise the compliance status of the architectural design in terms of each *applicable* prescriptive provision of the BCA and indicates a **capability for compliance** ('COMPLIES') with the accessibility provisions of the BCA.

A detailed analysis and commentary are provided in **Section 3.0** of this report in the instance that prescriptive non-compliance occurs ('DOES NOT COMPLY') or further 'DESIGN DETAIL' is required. Such instances should not necessarily be considered BCA deficiencies, but rather matters which need to be considered by the design team, the certifying authority and all other relevant stakeholders as design progresses.

2.2 Part D3 – Access for People with a Disability

BCA CLAUSE	COMPLIES	DOES NOT COMPLY	DESIGN DETAIL
D3.1 General building access requirements			✓
D3.2 Access to buildings			✓
D3.3 Parts of buildings to be accessible	N/A		
D3.5 Accessible carparking	N/A		
D3.6 Signage			✓
D3.7 Hearing augmentation	N/A		
D3.8 Tactile indicators			✓
D3.9 Wheelchair seating spaces	N/A		
D3.10 Swimming pools	N/A		
D3.11 Ramps	N/A		
D3.12 Glazing on an accessway	N/A		

2.3 Part E3.6 – Passenger Lifts

BCA CLAUSE	COMPLIES	DOES NOT COMPLY	DESIGN DETAIL
E3.6 Passenger lifts	N/A		

2.4 Part F2.4 – Accessible Sanitary Facilities

BCA CLAUSE	COMPLIES	DOES NOT COMPLY	DESIGN DETAIL
F2.4 Accessible unisex sanitary compartments			✓
F2.4 Sanitary facilities for people with ambulant disabilities			✓

2.5 Part F2.9 – Accessible Adult Change Facilities

BCA CLAUSE	COMPLIES	DOES NOT COMPLY	DESIGN DETAIL
F2.9 Accessible adult change facilities	N/A		

3.0 BCA DETAILED ASSESSMENT

3.1 General

With reference to the BCA Access Design Assessment Summary contained in **Section 2.0** above, the following analysis and commentary is provided.

In all instances, reference is also made to **Appendix 2**, which contains design guidance and other items which shall be coordinated by the relevant stakeholders as design progresses to ensure compliance with the deemed-to-satisfy (DtS) accessibility provisions of the BCA is achieved.

Furthermore, the analysis below contains preliminary advice regarding opportunities for the implementation of a performance-based approach in lieu of complying with the prescriptive (DtS) provisions of the BCA.

3.2 Part D3 – Access for People with a Disability

3.2.1 Clause D3.1 – General building access requirements

BUILDING CLASS	ACCESSIBILITY REQUIREMENTS
Class 10a	Access is required to be provided to and within— (i) An accessible sanitary facility; (ii) A change room facility; (iii) A public shelter or the like.
All buildings	Access is not required to be provided to the areas afforded the concession under Clause D3.4 and identified in Section 1.6 above.

3.2.2 Clause D3.2 – Access to buildings

Accessways to Gilgandra Library Plaza is provided from Miller Street and from the rear of the library.



Figure 1 – Pedestrian Entries

The following comment are provided in regards the requirements of Clause D3.2 of the BCA—

DESCRIPTION	COMPLIANCE DEPARTURE	RESOLUTION
Walkway 1:35	No levels provided for assessment of the walkway.	Provide RL levels on the drawings for further review and comment.
External Stairways	Stairways have not yet been detailed with all the required features and fixings.	Stairway to comply with AS1428.1-2009. Level of detail provided is suitable for this stage. As design progresses, provide detailed drawings for review and comment.

Refer to **Appendix 2** below for further design guidance.

3.2.3 Clause D3.3 – Parts of the building to be accessible

Refer to **Sections 3.2 and 2.4**.

3.2.4 Clause D3.4 – Exemptions

Not applicable.

3.2.5 Clause D3.5 – Accessible carparking

Not applicable.

3.2.6 Clause D3.6 – Signage

The following comment is provided in regards the requirements of Clause D3.6 of the BCA—

DESCRIPTION	COMMENT	RESOLUTION
General	Signage details have not yet been provided for assessment.	Signage will be required in accordance with the requirements of this clause. Level of detail provided is suitable for this stage. As design progresses, provide detailed drawings for review and comment.

Refer to **Appendix 2** below for further design guidance.

3.2.7 Clause D3.7 – Hearing augmentation

Not applicable.

3.2.8 Clause D3.8 – Tactile indicators

Tactile indicators at stairways have not yet been detailed within the design documentation. Refer to **Appendix 2** below for further design guidance in this regard.

3.2.9 Clause D3.9 – Wheelchair seating spaces in Class 9b assembly buildings

Not applicable.

3.2.10 Clause D3.10 – Swimming pools

Not applicable.

3.2.11 Clause D3.11 – Ramps

Not applicable.

3.2.12 Clause D3.12 – Glazing on an accessway

Not applicable.

3.3 Part E3.6 – Passenger Lifts

Not applicable.

3.4 Part F2.4 – Accessible Sanitary Facilities

3.4.1 Accessible unisex sanitary facilities

A total of one (01) accessible sanitary compartment has been provided within the subject development.

Drawings indicate that compliance will be achieved with AS1428.1-2009.

Refer to **Appendix 2** below for further design guidance.

3.4.2 Sanitary compartment for people with ambulant disabilities

A total of two (02) sanitary compartments for people with ambulant disabilities have been provided within the subject development, one female and one male.

Drawings indicate that compliance will be achieved with AS1428.1-2009.

3.5 Part F2.9 – Accessible Adult Change Facilities

Not applicable.

4.0 CONCLUSION

4.1 General

Our strategy for ensuring compliance will be refined and documented during the design process in conjunction with the continual development of the architectural documentation, as required.

Based upon our assessment to date we are of the opinion that the subject development is capable of achieving compliance with the relevant accessibility provisions of the National Construction Code – Building Code of Australia Volume 1, Edition 2019, subject to the comments provided in **Section 3.0** and the design detail contained in **Appendix 2**.

Compliance can be achieved either by meeting the deemed-to-satisfy requirements of the BCA, as are principally contained within Parts D3, E3.6, F2.4 and F2.9, or via a performance-based approach.

We trust that the above information is sufficient for the consent authority in assessing the merit of the architectural design from a planning perspective.

Report By

Verified By



Katja Gavran
Access Consultant
For Design Confidence (Sydney) Pty Ltd

Luke Sheehy
Principal
For Design Confidence (Sydney) Pty Ltd

APPENDIX 1 – Documentation Provided for Assessment

This accessibility assessment was based upon the architectural documentation prepared by Dunn & Hillam Architects namely—

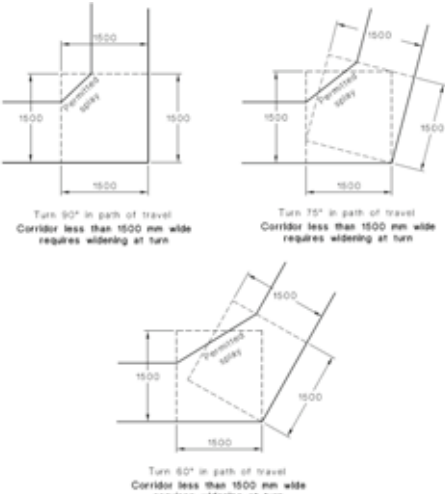
DRAWING	REV	TITLE	DATE
DA01-05		Ground Floor Plan	02.06.2021

APPENDIX 2 – Design Checklist – Prescriptive Requirements

The following design guidance checklist is provided for implementation and coordination during construction in order to achieve compliance with the prescriptive requirements of the BCA, AS1428.1-2009, AS/NZS1428.4.1:2009 and AS/NZS2890.6:2009.

1. ACCESS TO BUILDINGS	
1.1.	Provide an accessible path of travel compliant with AS1428.1-2009 from all main pedestrian entry points at the site boundary to the principal pedestrian entrance/s of the building.
1.2.	Where a building is afforded with multiple pedestrian entries, an accessway shall be provided through and through: <ul style="list-style-type: none"> (i) The principal pedestrian entrance (PPE); and (ii) Not less than 50% of pedestrian entrances, including the PPE. <p>Where the building area is greater than 500m²:</p> <ul style="list-style-type: none"> (i) A non-accessible pedestrian entrance shall not be located more than 50m from an accessible pedestrian entrance.
1.3.	Provide an accessible path of travel compliant with AS1428.1-2009 from another building connected by a pedestrian link (not being the public footpath) within the allotment.
1.4.	Provide an accessible path of travel compliant with AS1428.1-2009 from accessible car parking spaces on the site.
1.5.	An accessible path of travel/accessway shall be in accordance with AS1428.1-2009 as applicable. <i>Note: this includes requirements relating to floor finishes, stairway, ramps, doorways etc. Refer to the relevant section below for further detail.</i>

2. PATHS OF TRAVEL	
2.1.	A continuous accessible path of travel shall not include a step, stairway, turnstile, revolving door, escalator, moving walk or the like.
2.2.	Provide 1000mm minimum clear width of path of travel compliant with AS1428.1-2009. <i>Note: the width of the path of travel shall be taken clear of any obstructions, such as handrails, kerb rails, skirting, fire hose reels, fire extinguishers or the like.</i>
2.3.	The minimum unobstructed height of a continuous path of travel shall be 2000mm or 1980mm at doorways.
2.4.	An accessway shall be provided with turning spaces in accordance with the BCA and AS1428.1-2009 where required.
2.5.	A turning space not less than 1500 x 1500mm is required to allow for a 60-90° turn on the accessway. A splay across the internal corner is permitted in accordance with Figure 4 of AS1428.1-2009.



Turn 90° in path of travel
Corridor less than 1500 mm wide
requires widening at turn

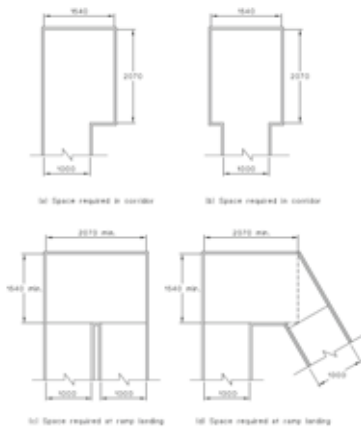
Turn 75° in path of travel
Corridor less than 1500 mm wide
requires widening at turn

Turn 60° in path of travel
Corridor less than 1500 mm wide
requires widening at turn

2. PATHS OF TRAVEL

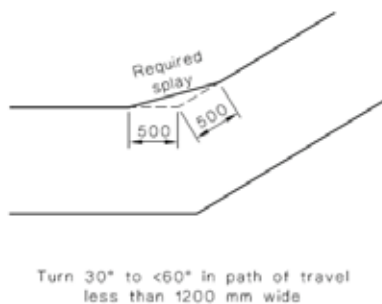
2.6. A turning space not less than 1540mm W x 2070mm L in accordance with Figure 5 of AS1428.1-2009 shall be provided:

- (i) to allow for a 180° turn on the accessway;
- (ii) along pathways at maximum 20m intervals;
- (iii) at corridor ends, within 2m of the corridor end.

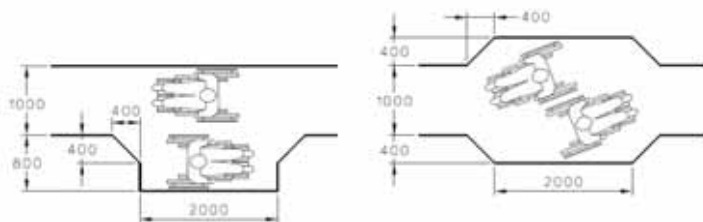


2.7.

2.8. Where the width of the path of travel is less than 1200mm, a minimum 500x500mm splay is required to allow for a 30 to <60° turn on the accessway in accordance with Figure 4 of AS1428.1-2009.



2.9. A passing space not less than 1800mm W x 2000mm L is required along pathways at maximum 20m intervals where a direct line of sight is not available.



2.10. Floor finishes and abutment of surfaces shall be in accordance with Clause 7 of AS1428.1-2009. *Note: Reference is made to BCA Clause D2.14 in regards slip resistance requirements.*

2.11. Where carpet or similar soft flexible flooring surface is proposed, the pile height shall be no more than 11mm with 4mm max backing surface.

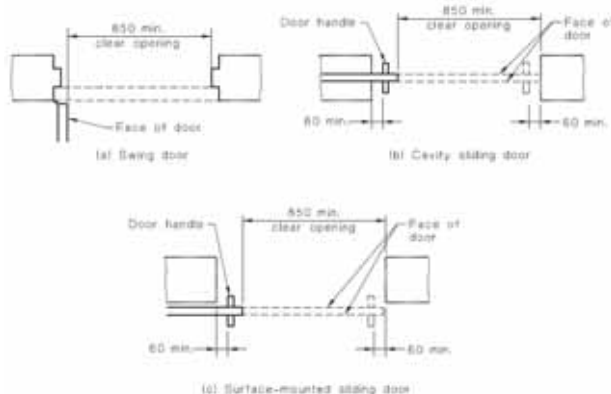
2.12. Ensure drainage grates on accessible path of travel have openings no more than 13mm wide (or 13mm diameter). Slotted openings shall be oriented such that the long dimension is transverse to the direction of travel.

2.13. Where recessed matting is proposed, it shall be in accordance with Clause 7.4.2 of AS1428.1-2009.

3. DOORS

3.1. Every door and/or gate on the accessway shall be in accordance with Clause 13 of AS1428.1-2009.

3.2. Minimum 850mm clear opening width (generally required 920mm door leaf), measured from the face of the door to the door stop.
Note: where double doors are proposed, at least the active/operable leaf shall achieve the minimum 850mm clear opening width.

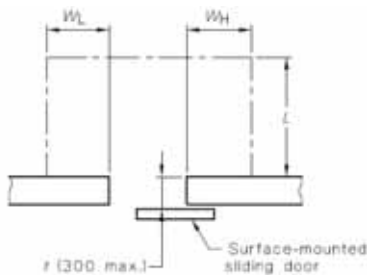


3.3. A minimum 30% luminance contrast shall be provided at doorways for ease of visual identification for people with vision impairment. The contrasting area (e.g. wall, architrave etc.) must have minimum 50mm width.

3.4. Every door and/or gate on the accessway shall be provided with circulation space on both sides to allow for operation of the door.

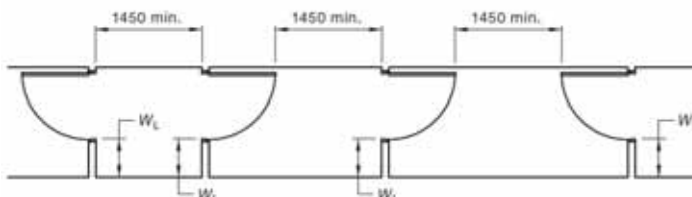
3.5. Circulation spaces shall be not steeper than 1:40. Refer to Figure 31 (hinged doors) and Figure 32 (sliding doors) of AS1428.1-2009 for the minimum required depth, latch-side and hinge-side circulation spaces as applicable.

3.6. Where surface-mounted sliding doors are proposed, the circulation spaces shall be increased by a factor of t as shown in Figure 33 of AS1428.1-2009.
Note: The factor t is the wall thickness to the face of the door.



Door approach	Increase from Figure 32
Figure 32(d)	Add dimensions t to dimensions W_L and W_H
Figure 32(a), 32(b), 32(c)	Add dimensions t to dimensions L , W_L and W_H

3.7. Provide minimum 1450mm length between successive door swings in airlocks/vestibules or other similarly enclosed spaces on accessible path of travel.

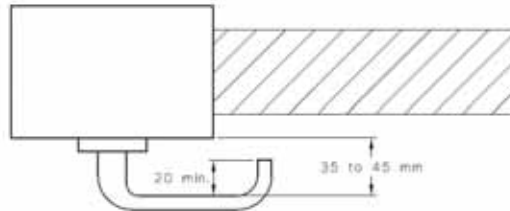


3.8. All fully glazed doors and surrounding glazing (including glazed walls with no transom or similar) shall be clearly marked with 75mm min. wide, solid, non-transparent, contrasting line across their full width. The lower edge of line must be between 900-1000mm FFL and have 30% luminance contrast when viewed against floor or background surface within 2m of glazing.

3.9. Door hardware shall:

3. DOORS

- (i) be a type that allows the doors to be operated with one hand;
- (ii) allow for adequate grip for people with hand impairments;
- (iii) have a clearance between the handle and the backplate or door face of 35-45mm;
- (iv) where snibs are installed, have a lever handle with minimum 45mm length from the centre of the spindle.



3.10. Door controls shall be located:

- (i) Door handles: 900-1100mm above FFL;
- (ii) Panic bars on egress routes: 900-1200mm above FFL;
- (iii) Intercoms, push buttons and the like: 900-1250mm above FFL and minimum 500mm from an internal corner;
- (iv) Handles on sliding doors shall be not less than 60mm from the door jamb or doorstop in the open or closed position;
- (v) Manual controls to power-operated doors (push buttons) shall be 1-2m from the door leaf (hinged or cavity-sliding doors) or clear of a surface-mounted sliding door in the open position.

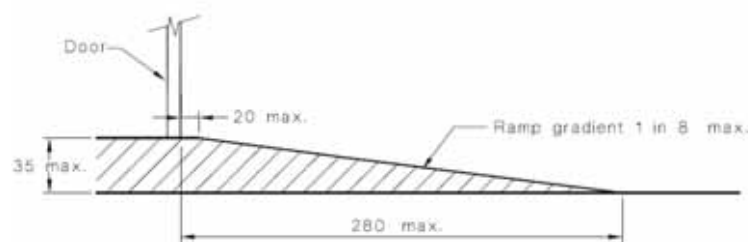
Note 1: this is not applicable in early childhood centres, swimming pools and the like.

Note 2: Per BCA 2019 Clause D2.21, push buttons for emergency release power operated doors shall comply with item (iv) above. Braille and tactile signage in accordance with Clause 3 and 6 of Spec. D3.6 of the BCA is also required.

3.11. Door operational forces shall be not more than 20 N.

Note: If this cannot be achieved, the subject door shall be automated, or power operated.

3.12. A threshold ramp may be employed to address a maximum 35mm rise / FFL difference. Threshold ramp shall be in accordance with Clause 10.5 of AS1428.1-2009.



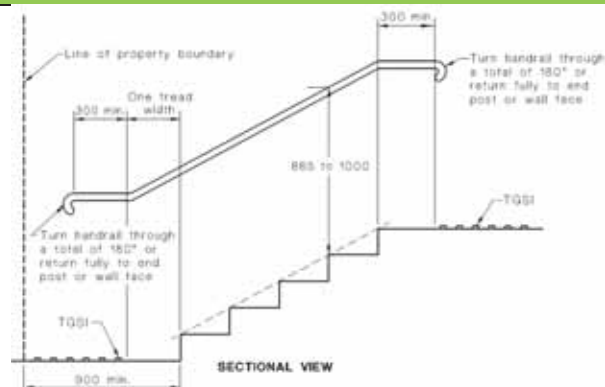
Note: Where ramp edges are not enclosed by walls/other side barrier, ensure ramp edges are splayed at 45 degrees.

4. STAIRWAYS

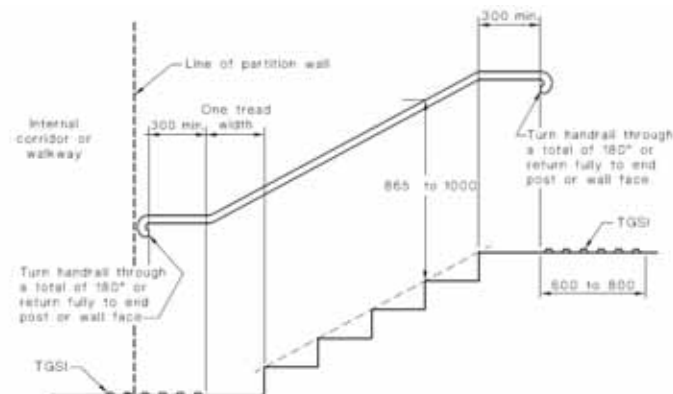
4.1. The requirements of this section shall apply to all stairways for general circulation and to external (non-fire isolated) egress stairways.

4.2. Stairs located at site boundary shall be recessed (900mm min. from boundary) to allow required handrail extensions and TGS's to not protrude into transverse path of travel.

4. STAIRWAYS

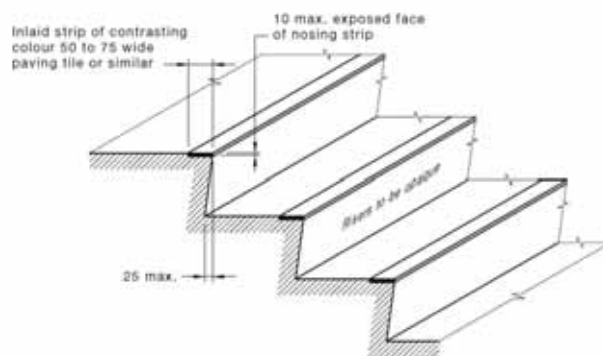


- 4.3. Stairs adjacent to internal corridors shall be recessed to allow required handrail extensions & termination to not protrude into transverse path of travel. The set-back shall be:
- 1 tread width plus handrail extension/turn down (approx. 650mm) at the bottom of a flight of stairs;
 - Handrail extension/turn down (approx. 400mm) at the top of a flight of stairs.

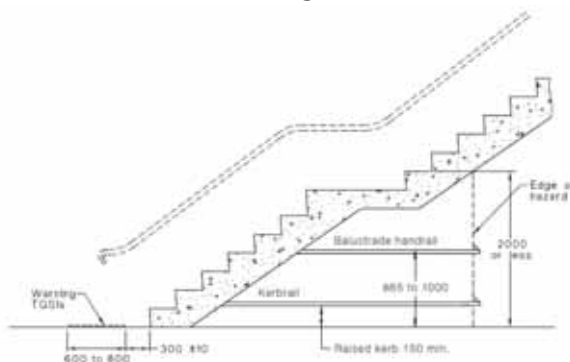


- 4.4. Minimum 1m clearance required between handrails.
- 4.5. Stairways shall have closed risers.
- 4.6. Stair nosings shall not project beyond the face of the riser. Risers shall be vertical or splay backwards a max. 25mm.
- 4.7. In order to achieve consistent height of the handrail along stairways, an offset tread is required at the bottom of the flight, as shown in Figure 28 of AS1428.1-2009.
- 4.8. Handrails compliant with Clause 12 of AS1428.1-2009 shall be provided to both sides of stairs. Refer to handrail section below for handrail requirements.
- 4.9. Handrail extensions are required at landings in accordance with the above:
- At the top of a flight of stairs: min. 300mm horizontal extension past the nosing;
 - At the bottom of a flight of stairs: one tread depth parallel to the line of nosings + min. 300mm horizontal extension;
 - Where the inner handrail is continuous at landings, the 300mm horizontal handrail extension is not required.
- 4.10. Provide warning tactile ground surface indicators (TGSi's) stairs landings in accordance with AS/NZS1428.4.1:2009. Refer to TGSi's section below for TGSi's requirements.
- 4.11. Provide contrasting step nosing strips on all stair treads compliant with AS1428.1 as follows:
- Step nosing strips to be across full width of stair, between 50-75mm wide, in a continuous colour solid strip with 30% luminance contrast to background surface.
 - Step nosing strips to be located on edge of tread (15mm max. setback if applied) and not extend onto risers more than 10mm. (if exposed).

4. STAIRWAYS



- 4.12. Where people can traverse under open stairs, a suitable barrier to the underside of the stairs shall be provided such that people do not traverse where the headroom is less than 2 meters. An example of a suitable barrier is illustrated in Figure 2.6(A) of AS/NZS1428.4.1:2009.



5. WALKWAYS

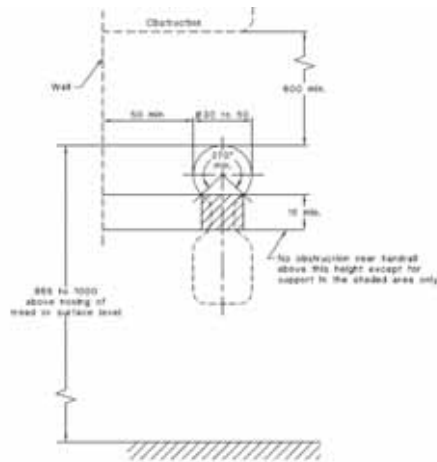
- 5.1. 1:20 walkways shall have suitable landings at 15m maximum intervals.
Note: for gradients other than 1:20, the maximum interval between landings shall be confirmed with Design Confidence.
- 5.2. Walkways shallower than 1:33 are not required to be provided with landings.
- 5.3. Landings shall be:
- Minimum 1200mm length where there is no change in direction;
 - Where there is a change in direction, refer to Section 2 – Paths of Travel above;
 - Where there is a doorway, the landing shall be capable of accommodating the required doorway circulation spaces.
- 5.4. A suitable barrier (edge protection) shall be provided to both sides of the walkway. Suitable barriers include:
- Floor/ ground surface to extend 600mm min. width at same grade in firm and level of the walkway surface, being of a different material;
 - Kerb in accordance with Figure 18 of AS1428.1-2009;
 - Kerb rail + handrail in accordance with Figure 19 of AS1428.1-2009;
 - Low wall min. 450mm height.
- Note: The top of kerbing must not be within 75-150mm range above FFL to minimise risk of wheelchair footplate entrapment.*
- 5.5. Curved walkways have 1500mm min. clear width. The minimum inside radius shall be in with Figure 20 of AS1428.1-2009.

6. HANDRAILS

- 6.1. All stairs and ramps shall be provided in accordance with Clause 12 of AS1428.1-2009, including fire-isolated stairways and ramps.
Note: for stairs/ramps in areas afforded the concession under D3.4, handrails are only required to comply with Clause D2.17 of the BCA.

6. HANDRAILS

- 6.2. The cross section of handrail shall be circular/elliptical handrails have 30mm - 50mm diameter, with 270-degree clear arc around top of handrail (extending for 600mm min. height) compliant with Figure 29 of AS1428.1-2009.



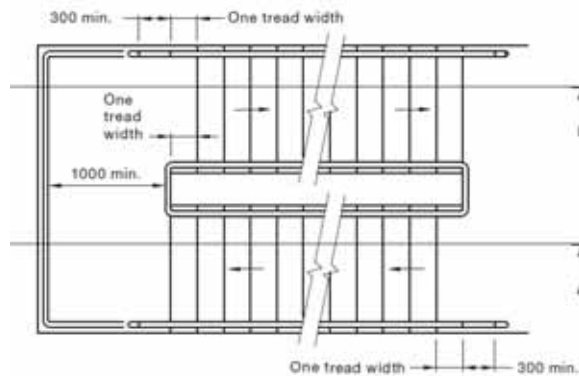
- 6.3. Handrails shall be installed at a consistent height between 865mm - 1000mm height above step nosing or FFL ramp surface.

NB. The specified height should allow for construction tolerance as outside of this range will be non-compliant.

- 6.4. Where a balustrade for fall protection is required at a height above 1m, both the balustrade and the handrails shall be provided.

- 6.5. Handrails shall have no vertical sections.

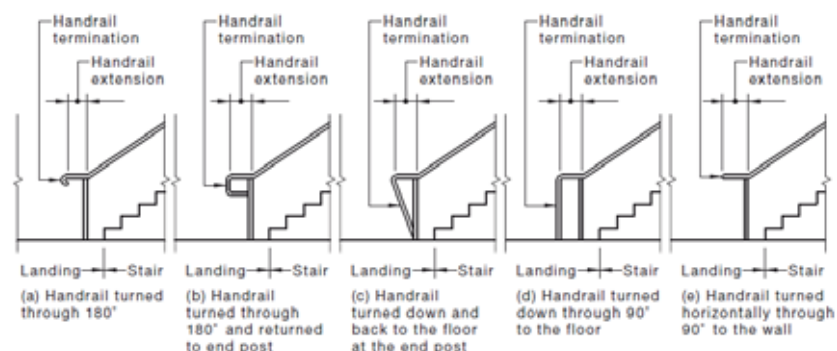
- 6.6. In order to achieve consistent height of the handrail along stairways, an offset tread is required at the bottom of the flight, as shown in Figure 28 of AS1428.1-2009.



- 6.7. Handrails shall be installed no less than 50mm away from an adjacent side wall/ obstruction (finger clearance).

- 6.8. Refer to Stairs and Ramps sections for the requirements relating to handrail extensions.

- 6.9. Handrail ends shall be turned through a total of 180° OR to the ground OR returned fully to the end post/wall face. Suitable handrail ends are shown in Figure 26 (C) of AS1428.1-2009.



6. HANDRAILS

Note: fire-isolated stairs and ramps are not required to be provided with handrail extensions at landings, however handrail ends shall be in accordance with Figure 26 (C) of AS1428.1-2009 as shown above.

- 6.10. The inner handrail shall always be continuous at landings.

7. SIGNAGE

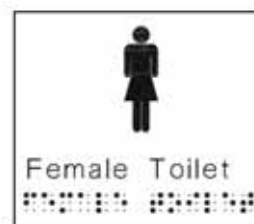
- 7.1. Braille and tactile signage will be required to:
- (i) Identify each sanitary facility, including an accessible sanitary facility and a sanitary compartment suitable for people with ambulant disabilities;
 - (ii) Identify each space provided with hearing augmentation;
 - (iii) Within each space provided with hearing augmentation;
 - (iv) Identify each door required by BCA Clause E4.5 to be provided with an exit sign;
 - (v) Identify a sanitary compartment suitable for people with ambulant disabilities;
 - (vi) At entry doors to airlocks containing either accessible and/or ambulant WCs, identifying each facility provided within.

- 7.2. Braille and tactile directional signage will be required at:
- (i) A non-accessible pedestrian entrance to direct a person to the nearest accessible entrance;
 - (ii) A sanitary bank which is not provided with an accessible sanitary facility to direct a person to the nearest accessible sanitary facility.

- 7.3. Signage required to comply with Clause D3.6 of the BCA shall be in accordance with BCA Spec. D3.6 and Clause 8 of AS1428.1-2009.

- 7.4. Per BCA 2019, signage complying with Clause 3 and 6 of Specification D3.6 shall be provided to identify the latch-operation device (manual controls for power-operated doors).

- 7.5. At standard sanitary facilities, the signage shall include:
- (i) Minimum required message: "Male Toilet" or "Female Toilet", as applicable;
 - (ii) Raised & visual versions of the male and female symbols;
 - (iii) Braille that fully describes the information displayed by symbols and text.



- 7.6. At an accessible sanitary facility, the signage shall include:
- (i) Minimum required message: "Unisex Toilet RH" or "Unisex Toilet LH" (as applicable)
 - (ii) Information if the toilet pan is suitable for RH or LH transfer;
 - (iii) Raised & visual versions of the international symbol of access;
 - (iv) Raised & visual versions of the male and female symbols;
 - (v) Braille that fully describes the information displayed by symbols and text.



- 7.7. At an ambulant sanitary compartment, the signage shall include:

7. SIGNAGE

- (i) Minimum required message: "Ambulant Male Toilet" or "Ambulant Female Toilet", as applicable;
- (ii) Raised & visual versions of the male and female ambulant symbols;
- (iii) Braille that fully describes the information displayed by symbols and text.



- 7.8. At exits, the signage shall include:
- (i) The word "Exit"; and
 - (ii) The word "Level" and the floor level number OR a floor level descriptor OR a combination of both the number and the descriptor;
 - (iii) Braille that fully describes the information display by text.

- 7.9. At the door to rooms/spaces provided with hearing augmentation, the signage shall include raised & visual versions of the international symbol of deafness.

- 7.10. Within the room/spaces provided with hearing augmentation, the signage shall include:

- (i) The type of hearing augmentation;
- (ii) The area covered within the room;
- (iii) If receivers are being used & where they can be obtained.

- 7.11. Directional signage shall include:

- (i) A wayfinding arrow that indicates the location of the subject accessible facility (being an accessible toilet or accessible entry);
- (ii) Raised & visual versions of the international symbol of access;
- (iii) Raised text that describes the subject accessible facility;
- (iv) If the accessible path of travel to the subject accessible facility is on a different level, include a symbol to denote travel via lift (if applicable).



- 7.12. Location of signage:
- (i) Braille and tactile components shall be at a height of 1200-1600mm above FFL; and
 - (ii) On the wall on the latch-side of the door, leading edge of the sign 50-300mm from the architrave, except at ambulant sanitary facilities;
 - (iii) Where b. is not possible, signage shall be on the door itself; and
 - (iv) At ambulant sanitary facilities, the signage shall be placed on the door.

- 7.13. Minimum 30% luminance contrast between the wall/door to the backplate of the sign and between the backplate and the symbols, tactile and braille contained in the sign.

8. TACTILE GROUND SURFACE INDICATORS (TGSIs)

8.1. Ensure that TGSIs are slip-resistant and achieve minimum luminance contrast against background surface in accordance with the following:

- (i) Integrated TGSIs (i.e. tiles) require 30% min. luminance contrast.
- (ii) Discrete TGSIs (i.e. buttons) require 45% min. luminance contrast.
- (iii) Composite TGSIs with 2 materials/colours requires 60% min. luminance contrast.

8.2. Ensure that warning TGSIs extend across the full width of the path of travel and commence 300mm from the edge of stairs, ramps etc.

*Note 1: tactile indicators are **not** required where the gradient is not steeper than 1:20 (walkways) or at step ramps and kerb ramps.*

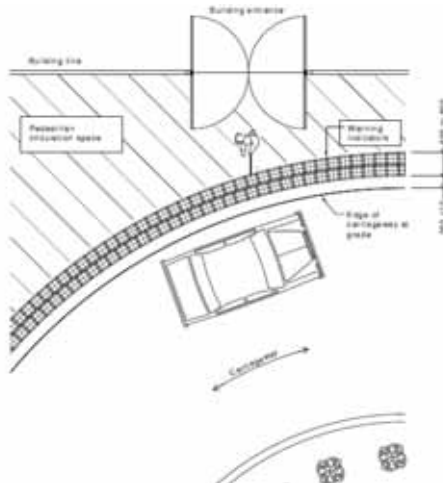
*Note 2: tactile indicators are **not** required at fire-isolated stairs and ramps.*

*Note 3: tactile indicators **are** required at external (non-fire-isolated) egress stairs and ramps.*

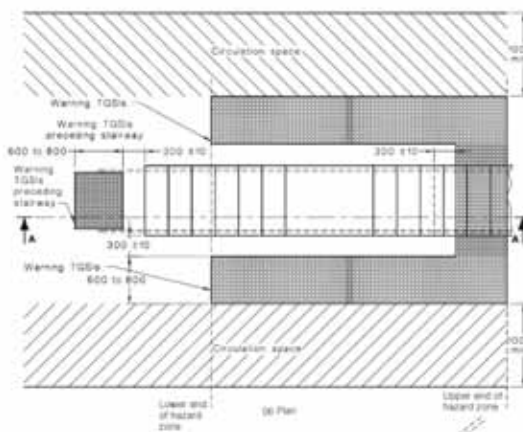
8.3. Ensure that warning TGSIs have between 600mm - 800mm depth at open areas, or at landings >3m length and/or when handrail is discontinuous.

8.4. Ensure that warning TGSIs have between 300mm - 400mm depth at enclosed landings (<3m) when external handrail is discontinuous.

8.5. Where a pedestrian pathway and vehicular way are at the same level (i.e. no kerb provided), warning tactile indicators shall be provided.



8.6. TGSIs may be provided in lieu of a barrier to the underside of stairs where the headroom is less than 2 meters.



9. ACCESSIBLE SANITARY FACILITIES

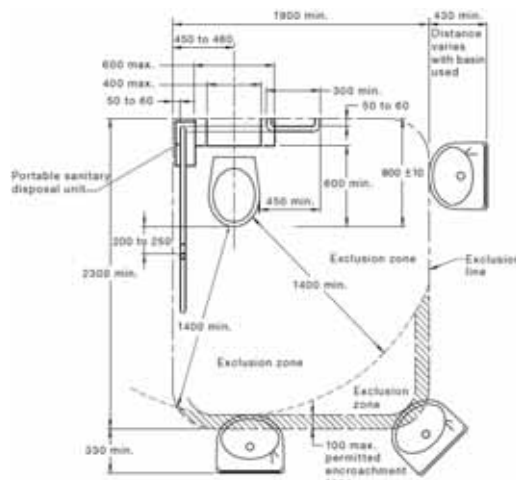
9.1. Provide 1 unisex accessible toilet at each bank of male/female toilets on each storey compliant with BCA Table F2.4a.

NB. Where more than 1 toilet bank on each storey provide an accessible facility at 50% of banks.

9.2. Ensure a balance of left- and right-handed WC pans within the building.

9. ACCESSIBLE SANITARY FACILITIES

9.3. Circulation space associated with the toilet pan min. 1900mm W x 2300mm L. The washbasin is permitted to encroach a max. 100mm within the WC circulation space in accordance with Figure 43 of AS1428.1-2009.



9.4. The required circulation spaces associated with toilet pan, washbasin, shower and door are allowed to overlap.

9.5. The washbasin is permitted to encroach into the doorway circulation space, however a min. 300mm is required between the door swing (for a hinged door) and the washbasin. Other fixtures such as toilet pan and shower seat are not allowed within the door circulation.

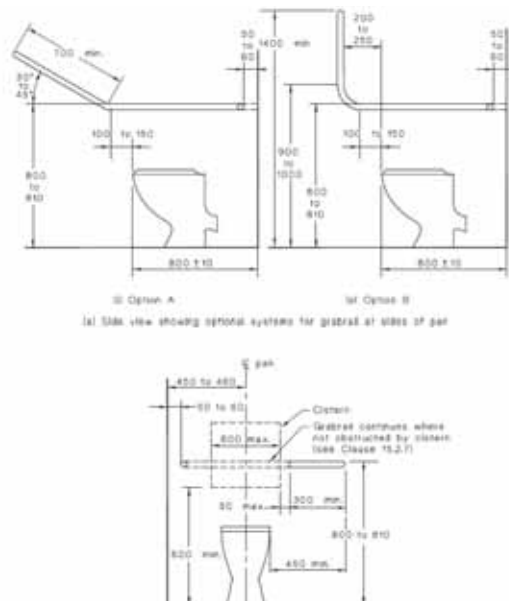
9.6. The centreline of the accessible toilet pan shall be 450-460mm from side wall.

9.7. Toilet projection from the back wall to the front of the toilet seat shall be 800mm ± 10mm.
Note: This is a critical dimension.

9.8. The height to top of the toilet seat shall be 460-480mm above FFL.

9.9. The toilet seat shall achieve 30% luminance contrast against background (e.g. pan, wall or floor surface).

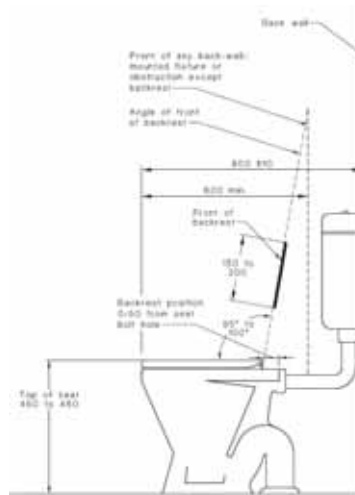
9.10. Provide grabrails on wall of toilet at a height of between 800-810mm (to top of grabrail) above FFL.



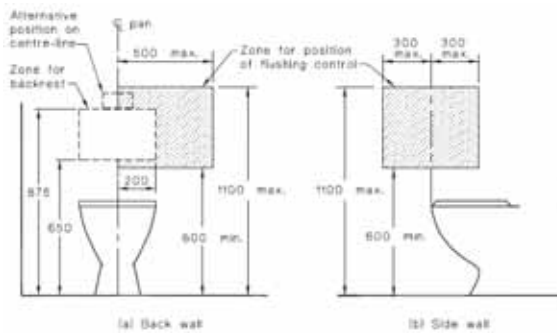
Note: If concealed cistern used, WC grab-rails are to be continuous across side and rear walls. If exposed cistern used, rear grabrail to commence 50mm max. from cistern edge.

9.11. Provide angled toilet backrest (350-400mm W x 150-200mm H) installed between 120-150mm height from top of pan seat and 50mm max. distance from seat bolt hole.
NB. No toilet lid to be provided as this impedes use of back rest.

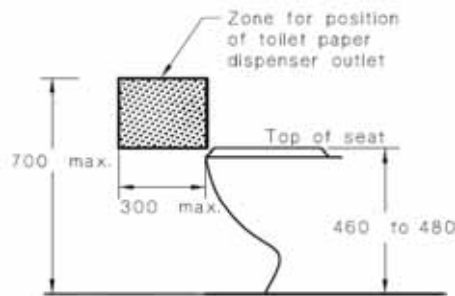
9. ACCESSIBLE SANITARY FACILITIES



9.12. Flushing controls shall be located in accordance with Figure 40 of AS1428.1-2009.



9.13. Toilet roll holder to be installed on adjacent wall to toilet at 600mm centre-line height from FFL within 300mm max. length from front of pan and no closer than 50mm to grabrail.

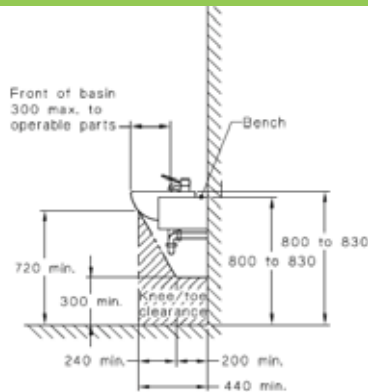


9.14. The centreline of the basin shall be min. 425mm from side wall.

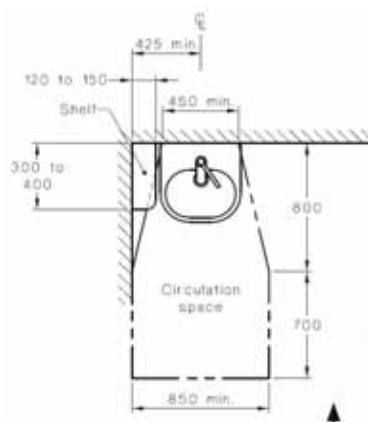
9.15. The height of the basin shall be 800-830mm from FFL with lever action taps and insulation of water pipes.

9.16. Provide basin with a 430mm min. depth projection (from back wall to front of the basin) and suitable wheelchair knee/toe height clearance, compliant with Figure 44 of AS1428.1-2009. Knee/toe clearance shall be clear of water supply and/or sewage pipes.

9. ACCESSIBLE SANITARY FACILITIES



9.17. Washbasin shall have min. 450mm width and circulation space in accordance with Figure 44 of AS1428.1-2009.



9.18. 300mm max. distance from the front of the basin to the operable part of taps.
Note: operable parts of taps shall be understood as the tap handle (for its full arc of operation) OR the position where a sensor is reliably activated AND the water spout.

9.19. Provide separate fixed shelf (120mm - 150mm W x 300mm - 400mm L) next to wash basin, installed at 900mm - 1100mm above FFL.
 Shelf space may also be provided as a vanity top, min. 120mm W x 300mm L.

9.20. Provision of soap dispenser, hand drier or paper towel dispenser shall be installed at a height of 900-1100mm to the operative component.
Note: it is recommended that soap dispenser and hand dryer/paper towel dispenser are within reach from the washbasin (for example, that would allow for a wheelchair user not to need to move away from washbasin to dry hands).

9.21. Provide mirror above washbasin, with base installed at 900mm max. above FFL and extending to a height not less than 1850mm. The width of the mirror shall be min. 350mm.

9.22. 1 x clothes hanging device to be installed between 1200-1350mm from FFL and at least 500mm from an internal corner.

9.23. Door shall include an in-use indicator and a bolt/catch that can be opened from outside in an emergency. If snib turn is used, the handle shall be 45mm min from centre.

9.24. A baby change table (if provided) cannot impede into required circulation spaces (when folded up). The top of table to be installed at 820mm height with 720mm min. under bench clearance above FFL.

9.25. Light switches to be installed 900-1100mm above FFL and 500mm min. from internal corner.

9.26. GPO's to be installed 600-1100mm above FFL and 500mm min. from internal corner.

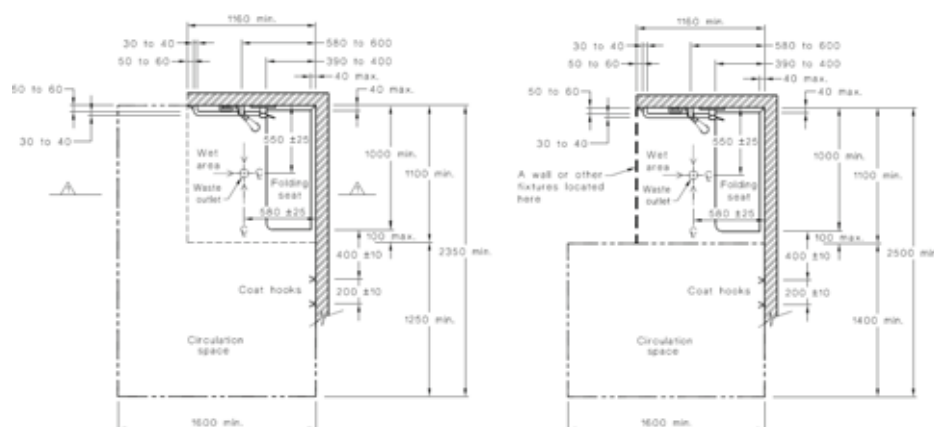
9.27. Rocker action/toggle type switches at least 30mm x 30mm dimensions are required to assist people with dexterity impairment.

9.28. Accessible shower shall be hobless/step-free.

9.29. Minimum dimensions of the shower recess 1100mm (side wall) x 1160mm (back wall).

9.30. The circulation space associated with the shower shall be in accordance with Figure 47 of AS1428.1-2009.

9. ACCESSIBLE SANITARY FACILITIES

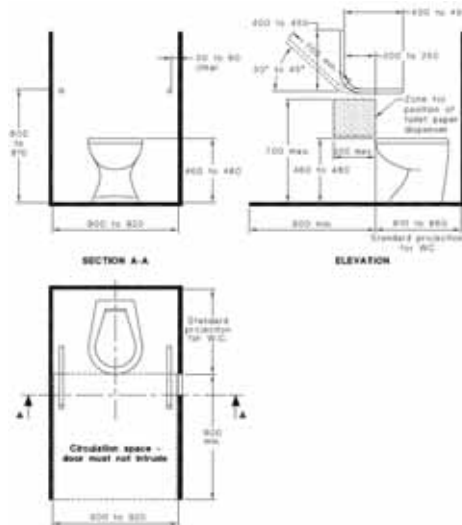


- 9.31. All accessible showers have shower rail/curtain installed.
Note: if shower screens are proposed, it shall be clear of the minimum circulation space (min. 1600 x 2350mm). Moreover, the shower door shall be in accordance with Clause 13 of AS1428.1-2009.
- 9.32. The height to the top of shower seat shall be 470-480mm above FFL.
- 9.33. Provide a horizontal grab rail (660mm min), to be placed beneath the vertical shower support rail, between 390-400mm from side wall (leading edge of grabrail aligned with end of shower seat), installed 800-810mm height from FFL.
- 9.34. Provide vertical shower support rail to start between 1000-1100mm from FFL. The top of the shower support rail to finish between 1880-1900mm FFL. The rail to be placed between 580-600mm from the side wall.
- 9.35. Ensure the shower taps and soap holders to be placed between 900mm - 1100mm from FFL. The shower taps and soap holders shall be 300-800mm from side wall and there shall be 50mm clear from the vertical support grabrail.
- 9.36. Hand-held shower head required, with flexible hose min. 1500mm in length.
- 9.37. The height of the hose wall outlet to be 700±5mm height above FFL to ensure suitable hose length when showering. A suitable back-flow prevention device shall be provided.
- 9.38. Provide 2 x clothes hanging devices required outside the shower recess. First hook shall be 400mm from the edge of the toilet seat and the second hook shall be 600mm from the edge of the seat, installed between 1200-1350mm from FFL.

10. AMBULANT SANITARY FACILITIES

- 10.1. Ambulant facilities for males and females shall be provided at each bank of toilets where there are one or more toilets in addition to an accessible WC.
- 10.2. Minimum 900mm x 900mm circulation area shall be provided between successive door swings in airlocks/vestibules on path of travel leading to ambulant toilets.
- 10.3. Minimum 900mm x 900mm circulation area shall be provided outside the ambulant cubicles.
- 10.4. The cubicle shall be between 900mm - 920mm clear width with WC pan centred (i.e. 450-460mm set out).
- 10.5. The cubicle door shall have a min. 700mm clear opening width.
- 10.6. 900mm x 900mm clear area shall be provided in front of WC pan and clear of door swing.
- 10.7. Projection of WC (distance from back wall to the front of the seat) shall be 610-660mm.
- 10.8. Height to top of pan seat shall be 460-480mm above FFL.
- 10.9. Ambulant cubicle door shall be provided with in-use indicator and bolt/catch that is able to be opened from outside (in emergency). If snib catch used, the handle shall be 45mm min. length from centre.
- 10.10. Grabrails provided on both sides of cubicle at 800mm - 810mm height (to top of grabrail) from FFL.
 Refer to Figure 53 (A) of AS1428.1-2009 for further guidance.

10. AMBULANT SANITARY FACILITIES



10.11. Toilet roll holder to be placed at 700mm max. height from FFL and 300mm max. distance from front of pan on adjacent wall, no closer than 50mm to grabrails.

10.12. Clothes hook to be installed between 1350mm - 1500mm from FFL.

11. GRABRAILS

11.1. Grabrails shall have 30-40mm outside diameter.

11.2. Grabrails shall be installed 800-810mm height to the top of grabrail.




11.3. Grabrails shall be able to withstand a force of 1100N applied at any position and in any direction.

11.4. The clearance between the face of the grabrail and the wall shall be 50-60mm (finger/knuckle clearance).

11.5. 270-degree clear arc around top of handrail required (extending for 600mm min. height above the grabrails).

APPENDIX 3 – Universal Design Recommendations

The following design guidance checklist includes recommendations which may be implemented in order to add value to the project in relation to enhanced accessibility provisions.

1. INCLUSIVE / UNIVERSAL DESIGN RECOMMENDATIONS	
1.1.	Provide accessible path to all key elements in the plaza and ensure that they are on a paved slip-resistance surface.
1.2	Provide a hard, slip-resisting surface to the continuous accessible path and all other paved areas.
1.3	<p>Waste bins to be located on a hard slip-resistance surface that is connected to the accessible pathway, adjacent or offset of the pathway.</p> 
1.4	<p>Water and charging station to be accessible. Provide different heights for drinking fountains with clear space required under the drinking fountain. Provide appropriate drainage – no water spillage on accessible pathways.</p> 
1.5	<p>Where seating areas are provided allow for wheelchair users space, grading 1:40 or less.</p> 
1.6	Provide benches with backrests and armrests.



Where shading is provided allow for wheelchair users space, grading 1:40 or less.

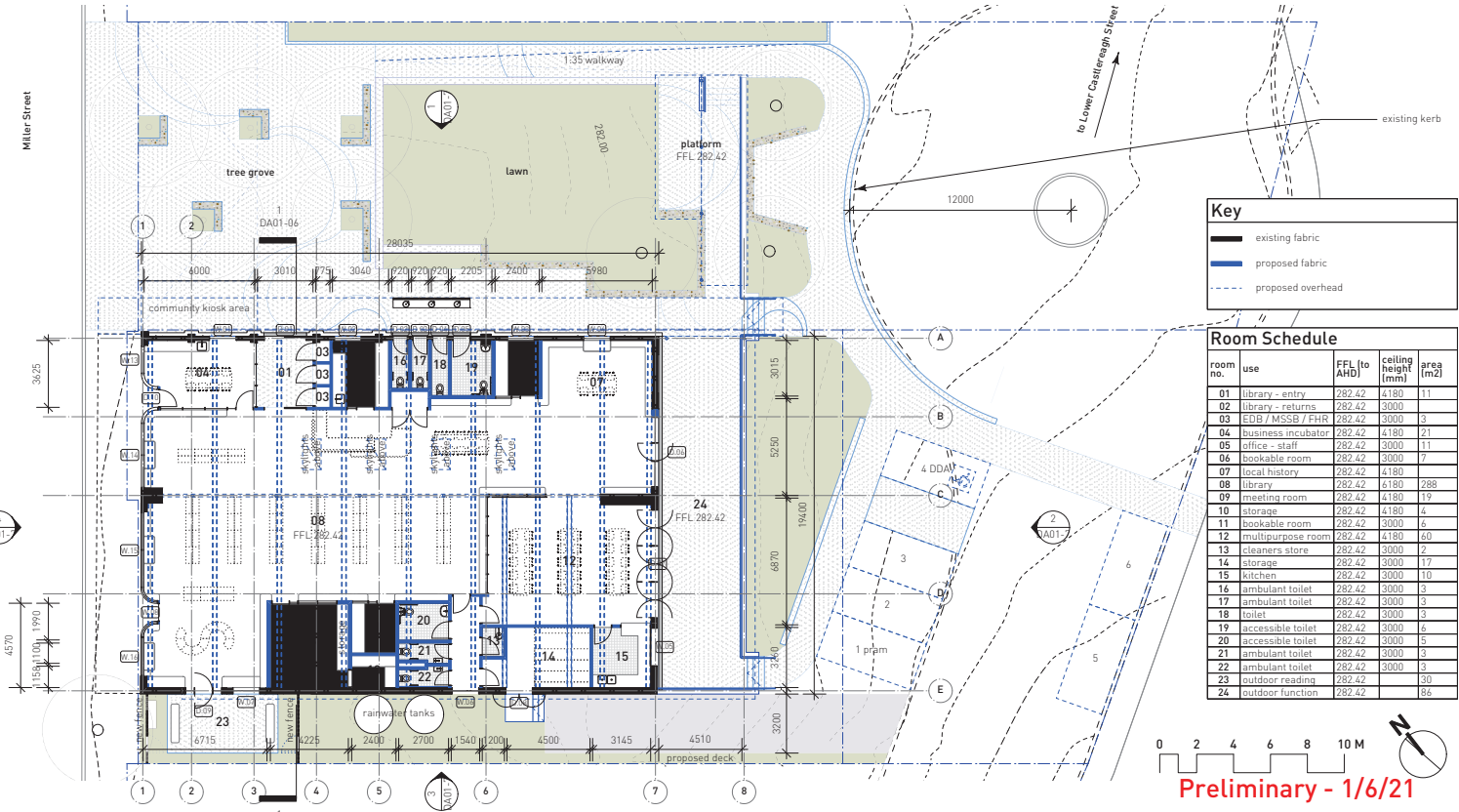
1.7



1.8

Allow for wheelchair seating spaces under the covered stage, grading 1:40 or less.

APPENDIX 4 – Drawing Mark-ups



Key

- existing fabric
- proposed fabric
- proposed overhead

Room Schedule

room no.	use	FFL (to AHD)	ceiling height (mm)	area (m2)
01	library - entry	282.42	4180	11
02	library - returns	282.42	3000	3
03	EDB / MSSB / FHR	282.42	3000	3
04	business incubator	282.42	4180	21
05	office - staff	282.42	3000	11
06	bookable room	282.42	3000	7
07	local history	282.42	4180	289
08	library	282.42	4180	289
09	meeting room	282.42	4180	19
10	storage	282.42	4180	4
11	bookable room	282.42	3000	6
12	multipurpose room	282.42	4180	60
13	cleaners store	282.42	3000	2
14	storage	282.42	3000	17
15	kitchen	282.42	3000	10
16	ambulant toilet	282.42	3000	3
17	ambulant toilet	282.42	3000	3
18	toilet	282.42	3000	3
19	accessible toilet	282.42	3000	6
20	accessible toilet	282.42	3000	5
21	ambulant toilet	282.42	3000	3
22	ambulant toilet	282.42	3000	3
23	outdoor reading	282.42		30
24	outdoor function	282.42		86

DUNN & HILLAM ARCHITECTS

Workshop 1 Pty Ltd
 U/a Dunn & Hillam Architects
 ACN 098 209 116 ABN 17 099 209 114
 Nominated architect Sydney/Queensland NSW ARB No. 7547

This drawing, the information and design in it are copyright to Workshop 1 Pty Ltd.

Revision DA01-06

Note

33 Salisbury St, Botany NSW 2019
 T: +61 2 9316 7715 E: admin@dunnhillam.com.au W: dunnhillam.com.au

Consultants

Surveyor - Western Survey Pty Ltd
 contact ph: +61 499 080 997

Structural Engineer - John Carrick Pty Ltd
 contact ph: (02) 9698 2961

Services Engineer - JHA
 contact ph: (02) 9437 1000

Quantity Surveyor - Altus Group
 contact ph: (02) 9283 7311

Builder - TBA contact ph:

Notes

1. all dimensions in mm.
2. do not scale from drawing.
3. this drawing has been prepared for Information purposes only and is not to be used for development approval purposes or construction.
4. clarification to be sought from the architect in the event of any discrepancies in the documentation or if further information is required.

Client Gilgandra Shire Council

Project Library & Community Hub
 30-32 Miller Street, Gilgandra

Issue For Information Only

Date Wed, 2 Jun 2021 **Job No.** 20_304

Scale 1:200 @A3 **Drawn** GY

Drawing Ground Floor Plan **Rev.**

Dwg No. DA01-05 **Check** AD

Preliminary - 1/6/21

Design Confidence Pty Limited

Shop 2, 35 Buckingham Street, Surry Hills NSW 2010

ABN: 72 896 582 485

T: (02) 8399 3707

E: sydney@designconfidence.com

W: www.designconfidence.com

This document is and shall remain the property of Design Confidence. The technical and intellectual content contained herein may only be used for the purpose for which it was commissioned and in accordance with the Terms of Engagement for the commission.

Unauthorised use of this document in any form whatsoever is prohibited.
